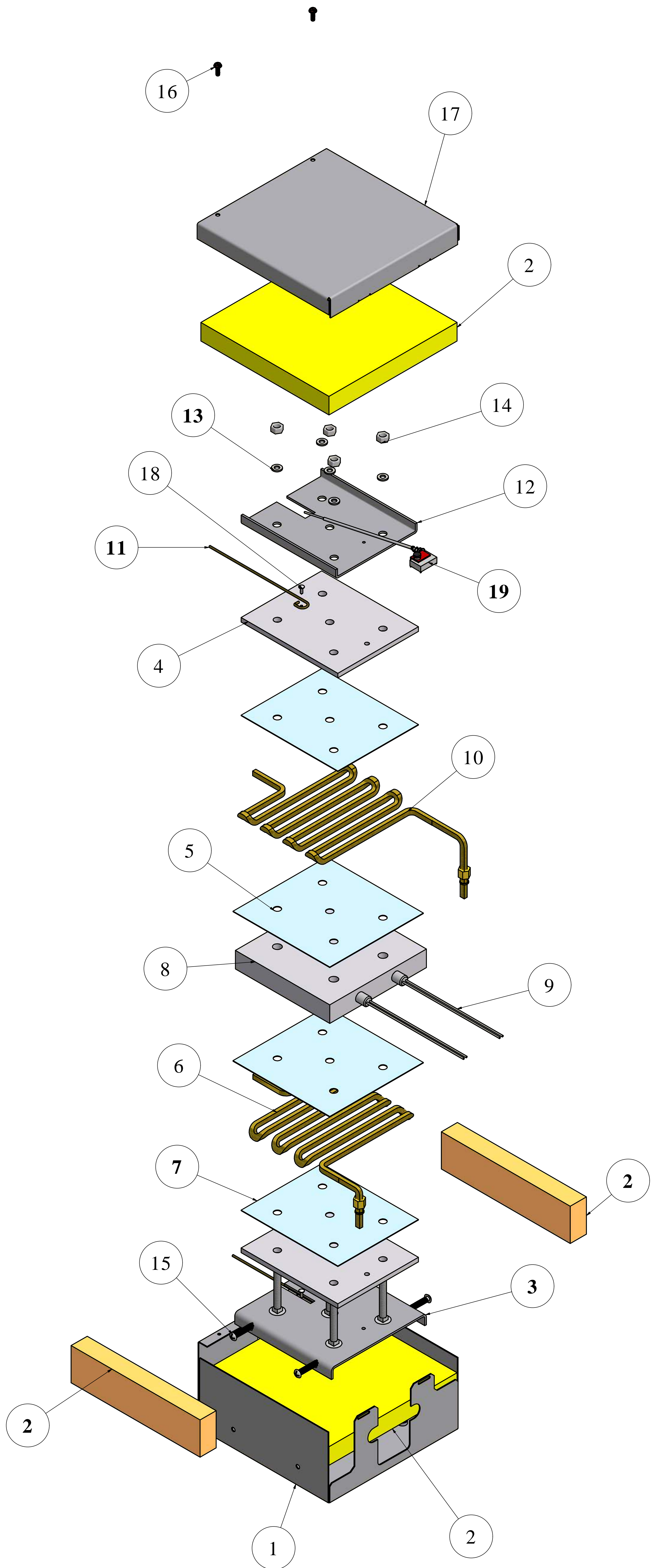
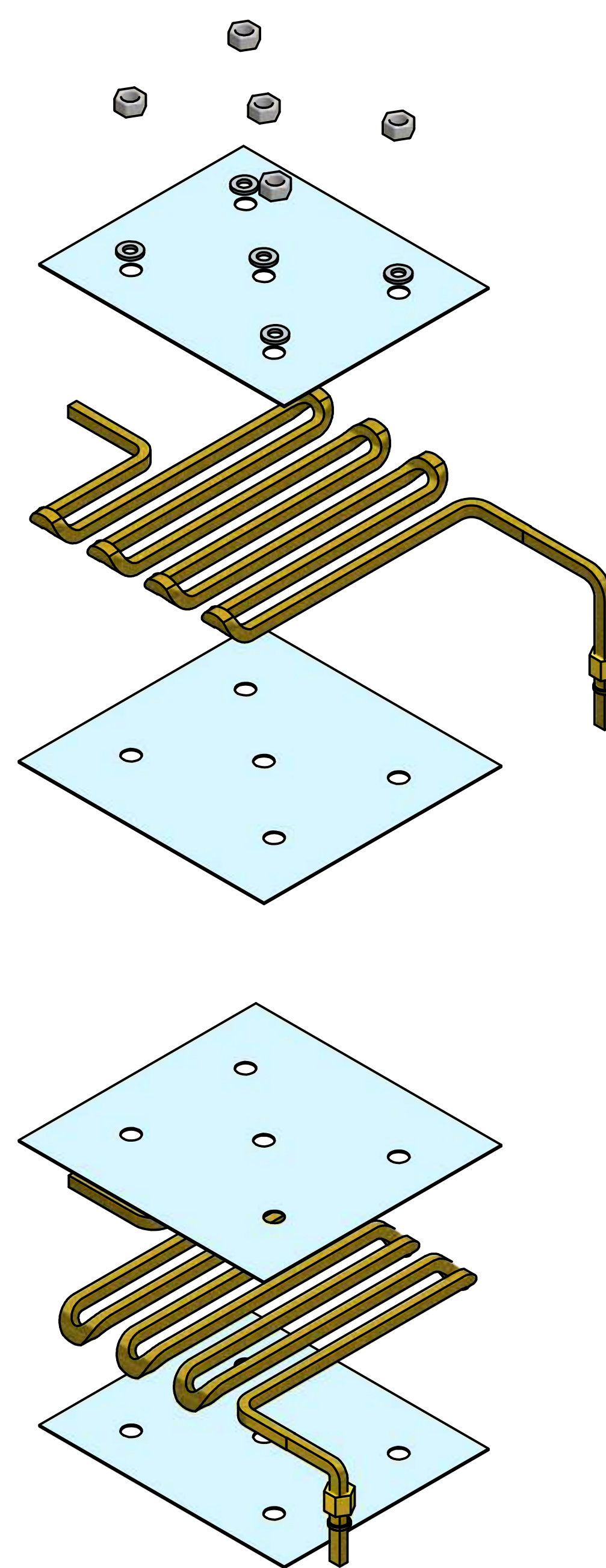


G3000 BLOCK 110V/ 220V REV.1 BULB/ CAPILLARY



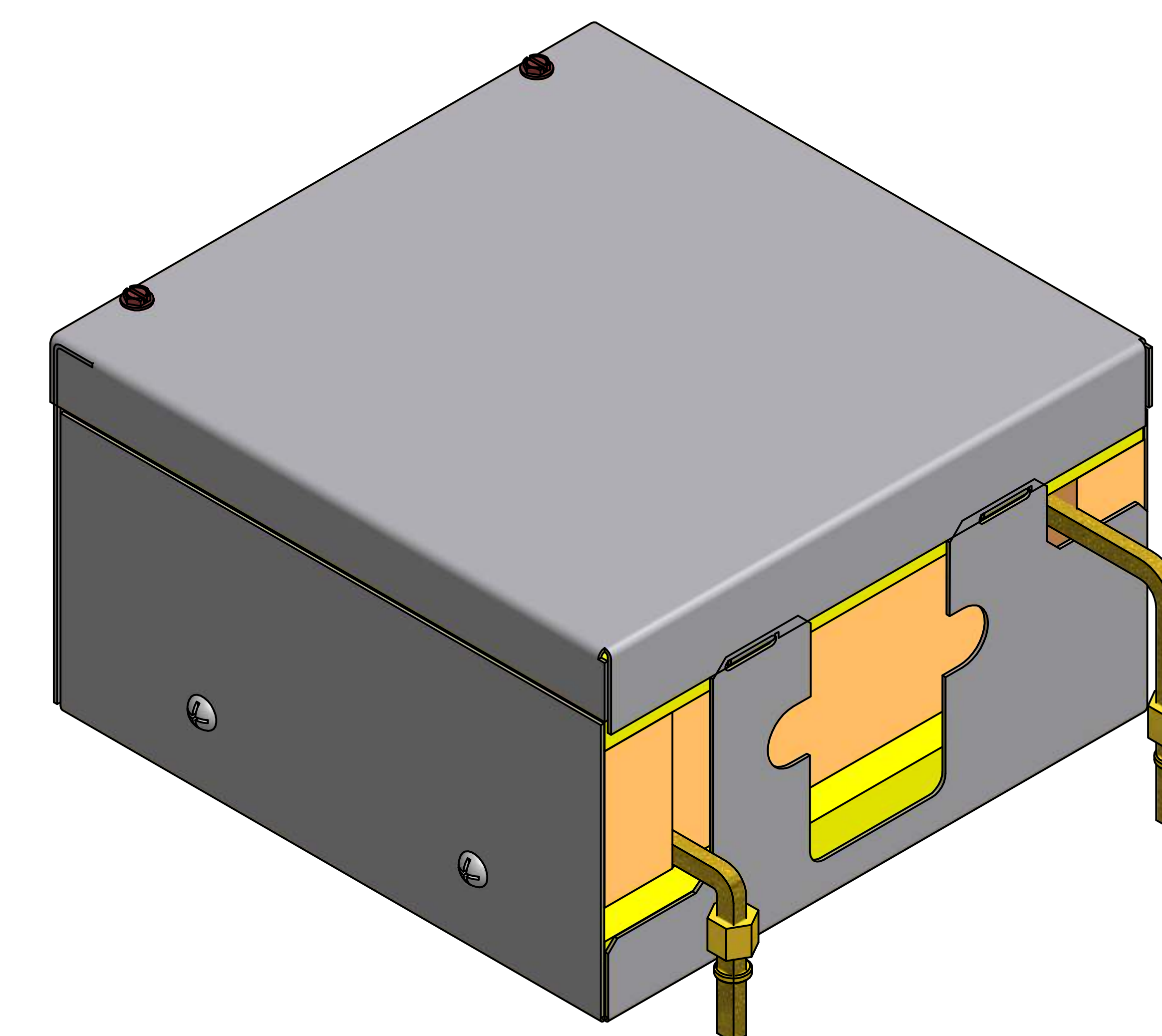
G3000 RAPID TUBE REPLACEMENT KIT



PARTS LIST



G3000 BLOCK 110 V/ 220 V REV.1 BULB/ CAPILLARY



REVISION HISTORY

REV-#	DATE
B	13/09/2016

ITEM	QTY	SALES NUMBER	DESCRIPTION
1	1	CXP 4227	G3000 BLOCK CASE
2	1	CXP 4241	G3000 BLOCK INSULATION KIT
3	1	CXP 4229	G3000 RAPID CHANGE BOTTOM PLATE
4	2	CXP 4231	QUICK CHANGE ALUMINUM TOP PLATE
5	2	CLF 3010	G3000 RAPID TUBE REPLACEMENT KIT
6	1	CLF 3010	G3000 RAPID TUBE REPLACEMENT KIT
7	2	CLF 3010	G3000 RAPID TUBE REPLACEMENT KIT
8	1	CXP 4244	G3000 1" ALUMINUM BLOCK
9	2	CXP 4224	G3000 CARTRIDGE HEATER 120V
10	1	CLF 3010	G3000 RAPID TUBE REPLACEMENT KIT
11	2	CXP 4005	NEW THERMOCOUPLE ASSEMBLY
12	1	CXP 4239	ANTI WARP PLATE FOR BLOCK
13	5	CLF 3010	G3000 RAPID TUBE REPLACEMENT KIT
14	5	CLF 3010	G3000 RAPID TUBE REPLACEMENT KIT
15	4	CXP 1257	# 12 X 2" PAN PHILLIP SCREW
16	2	CXP 4237	8-32 X 1/2 IND. FASTENER
17	1	CXP 4226	G3000 BLOCK LID
18	2		6/32 X 1/4" PHILIPS SCREW S.S.
19	1	CXP 7500	CAPILLARY THERMOSTAT ASSEMBLY