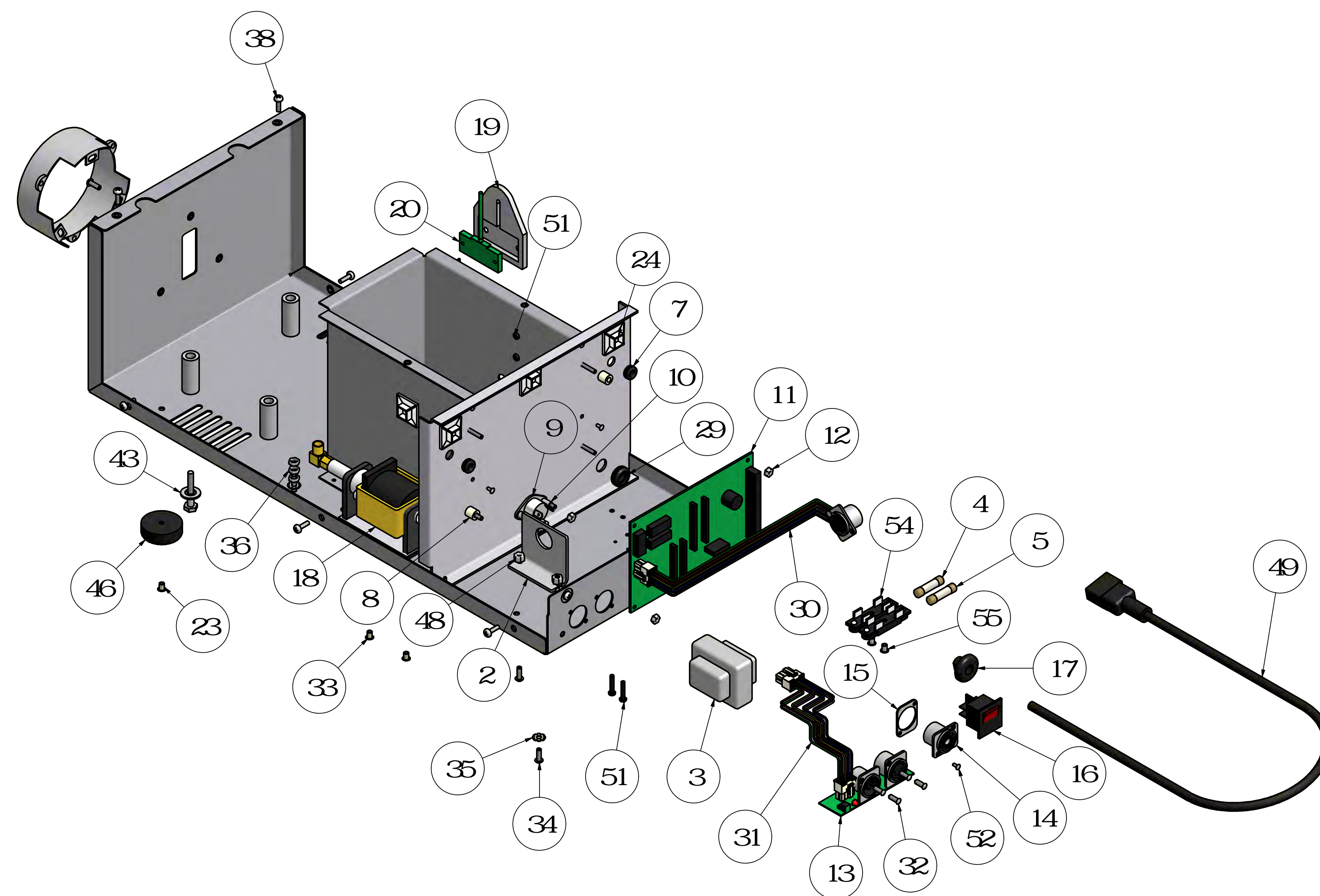
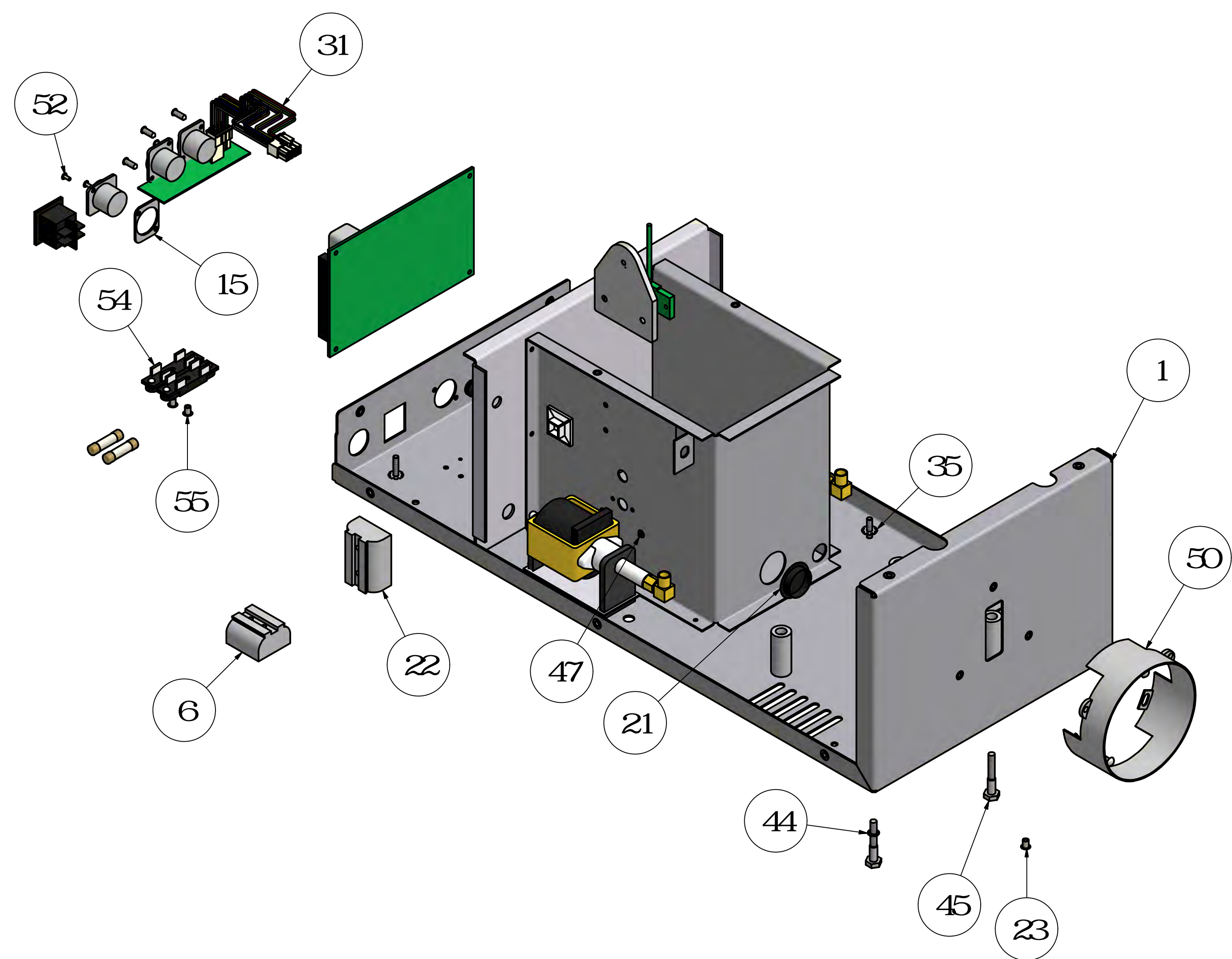
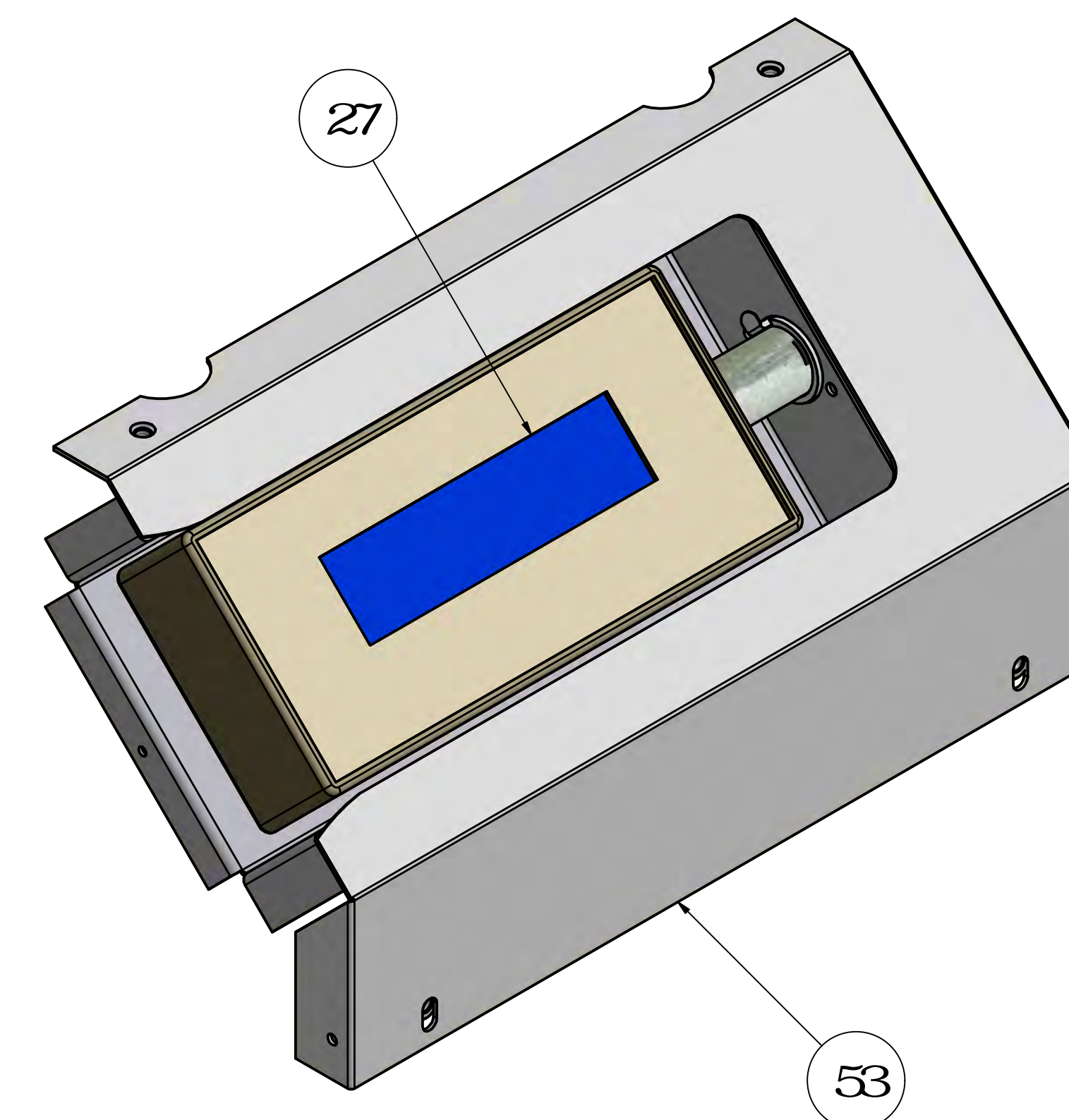
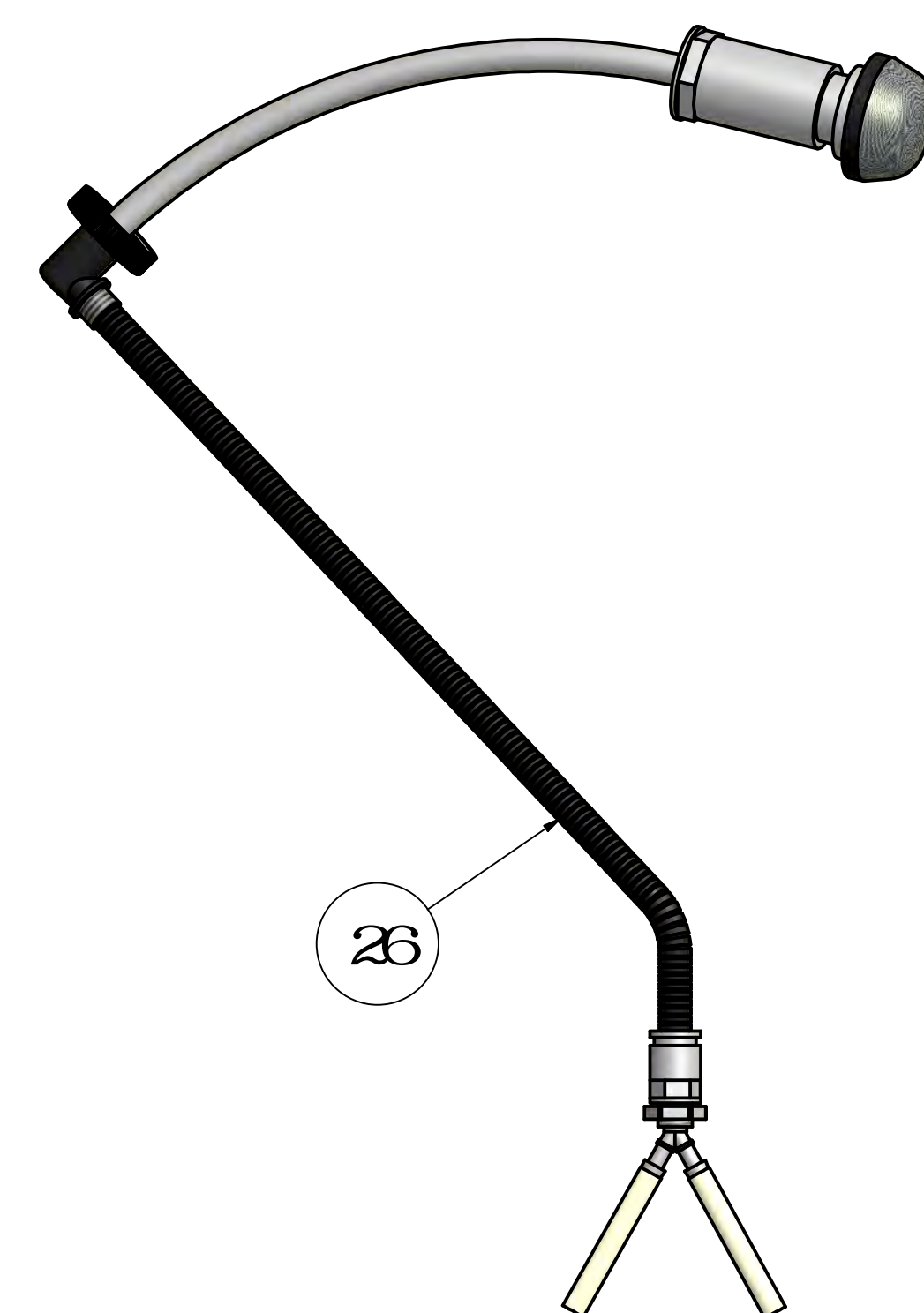
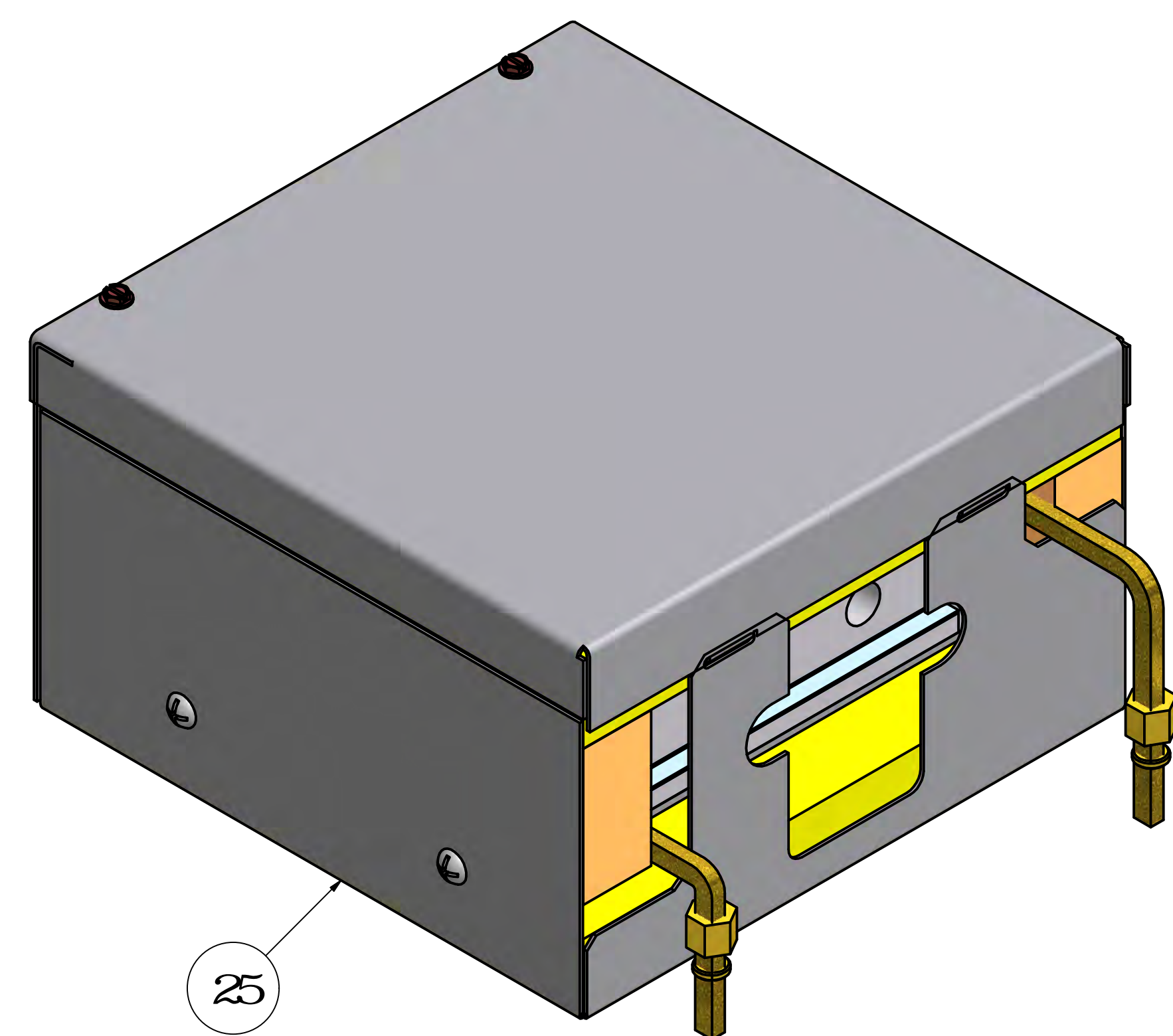
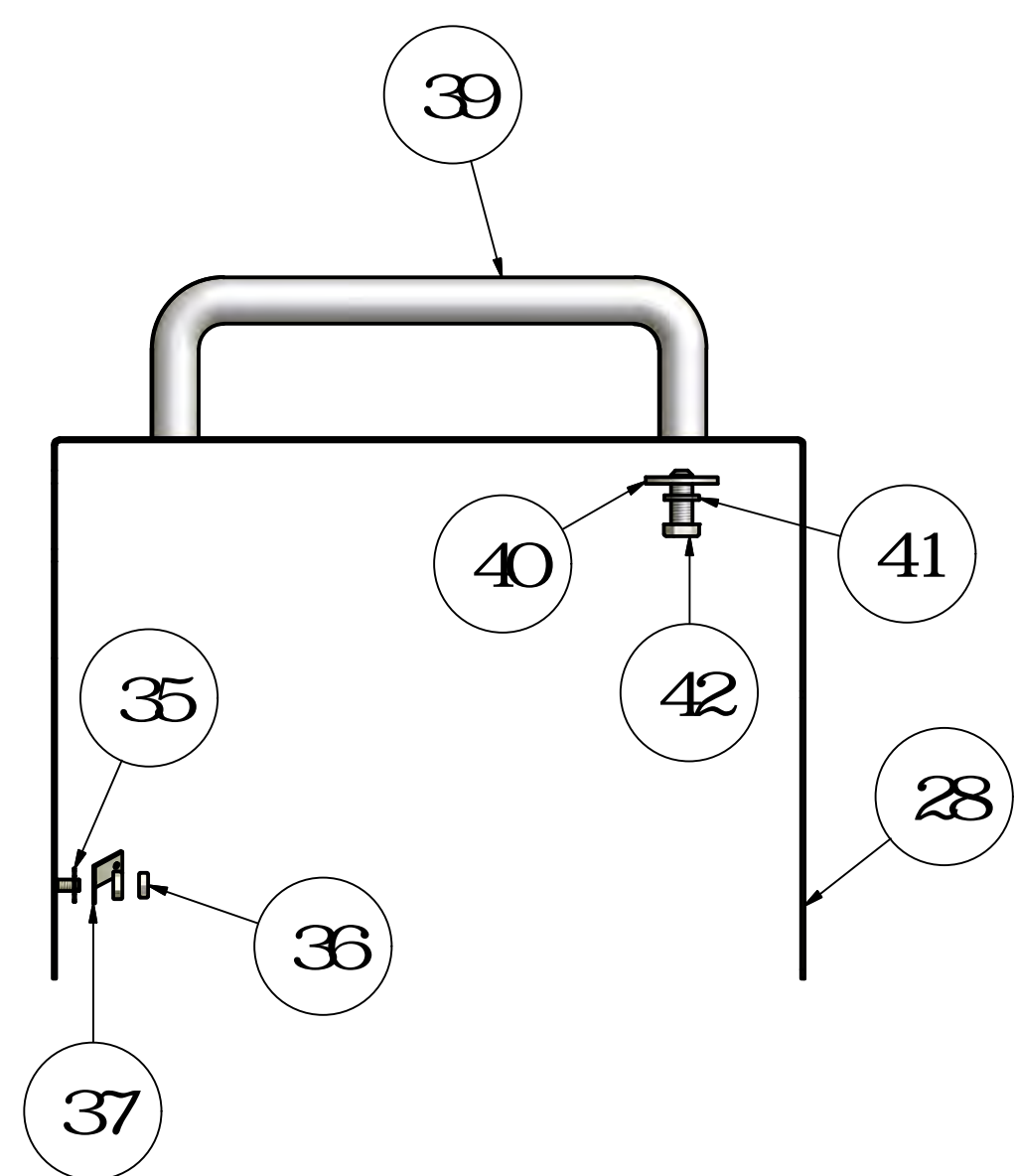


# G3000 FOG MACHINE 110V W / DIGITAL REMOTE

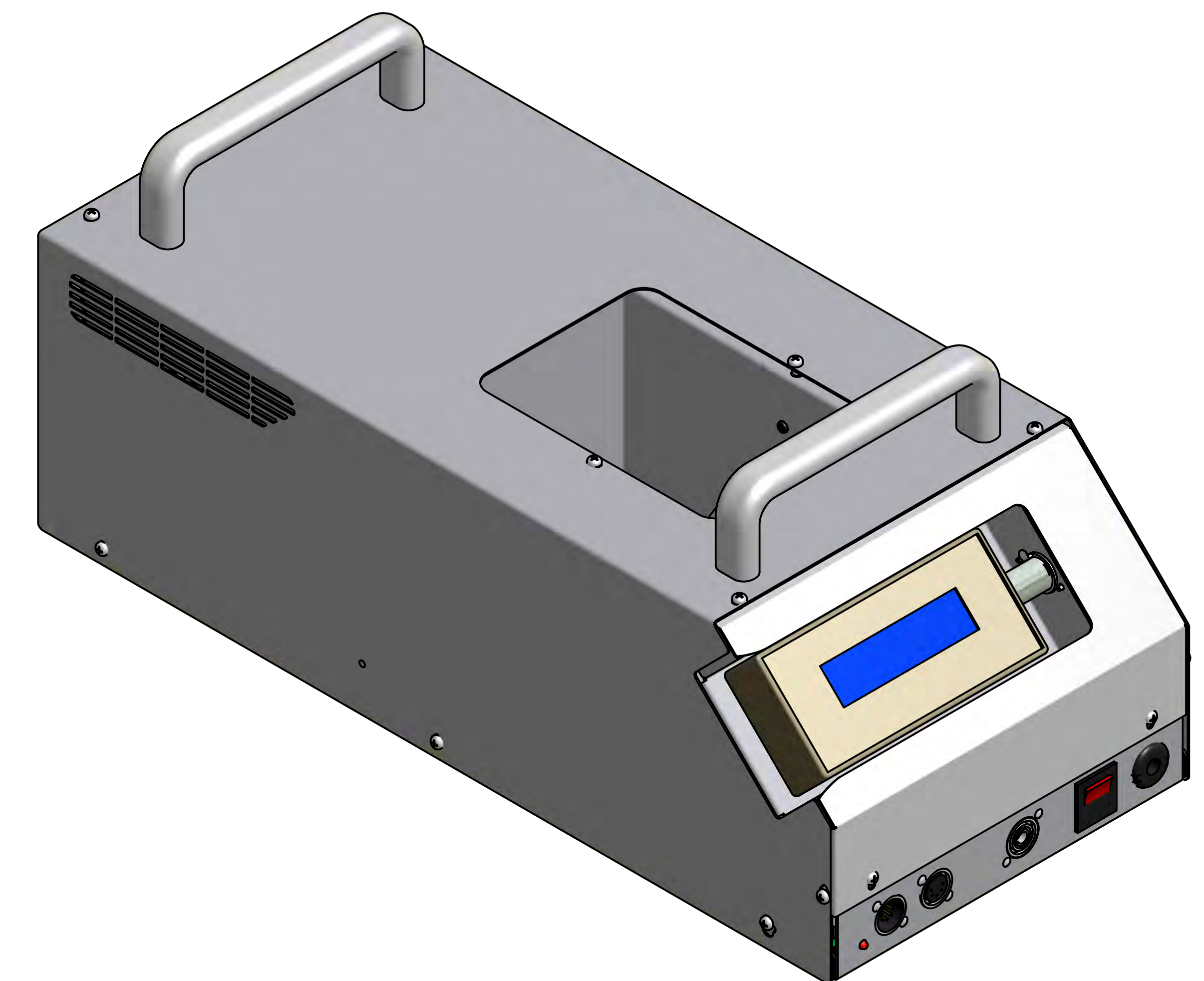
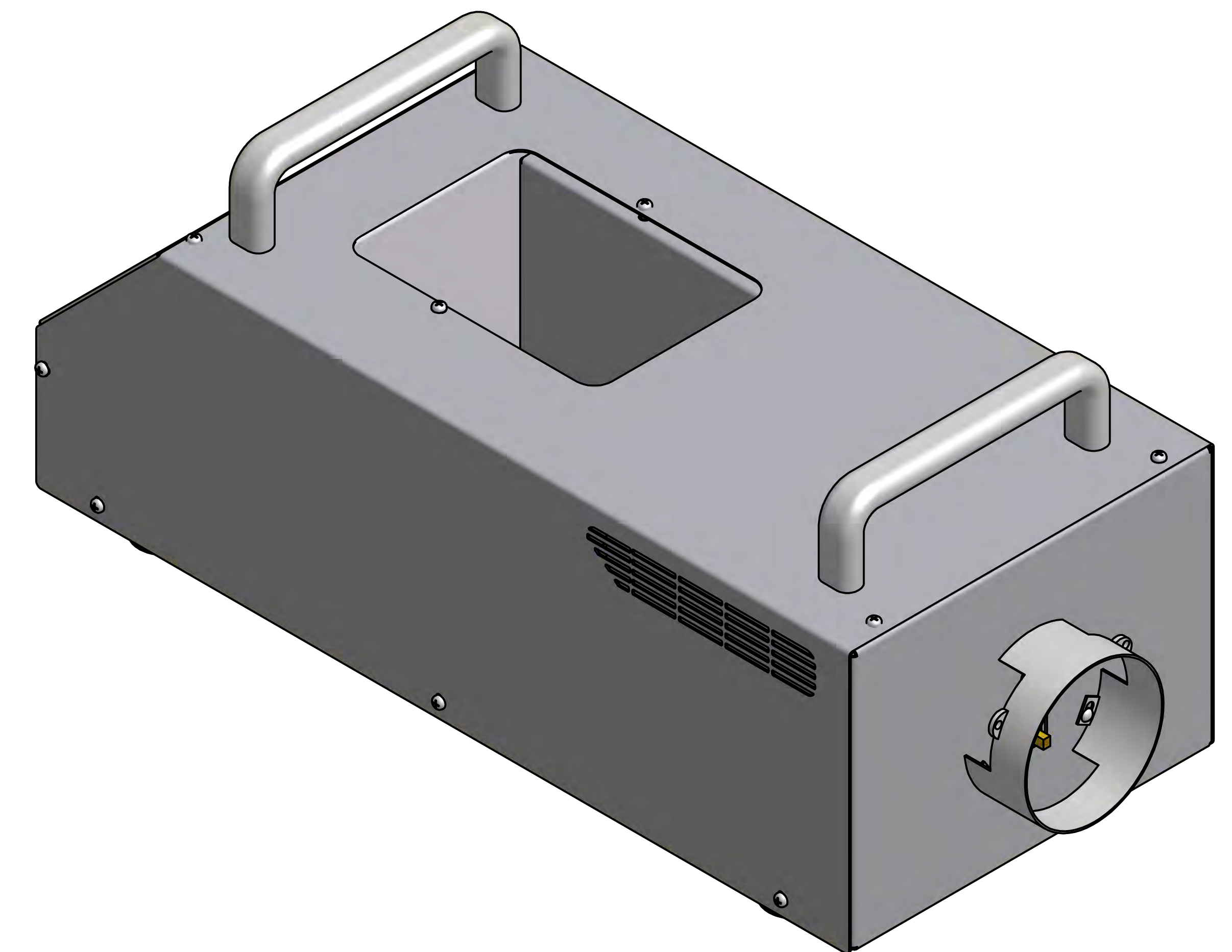




PARIS LIST



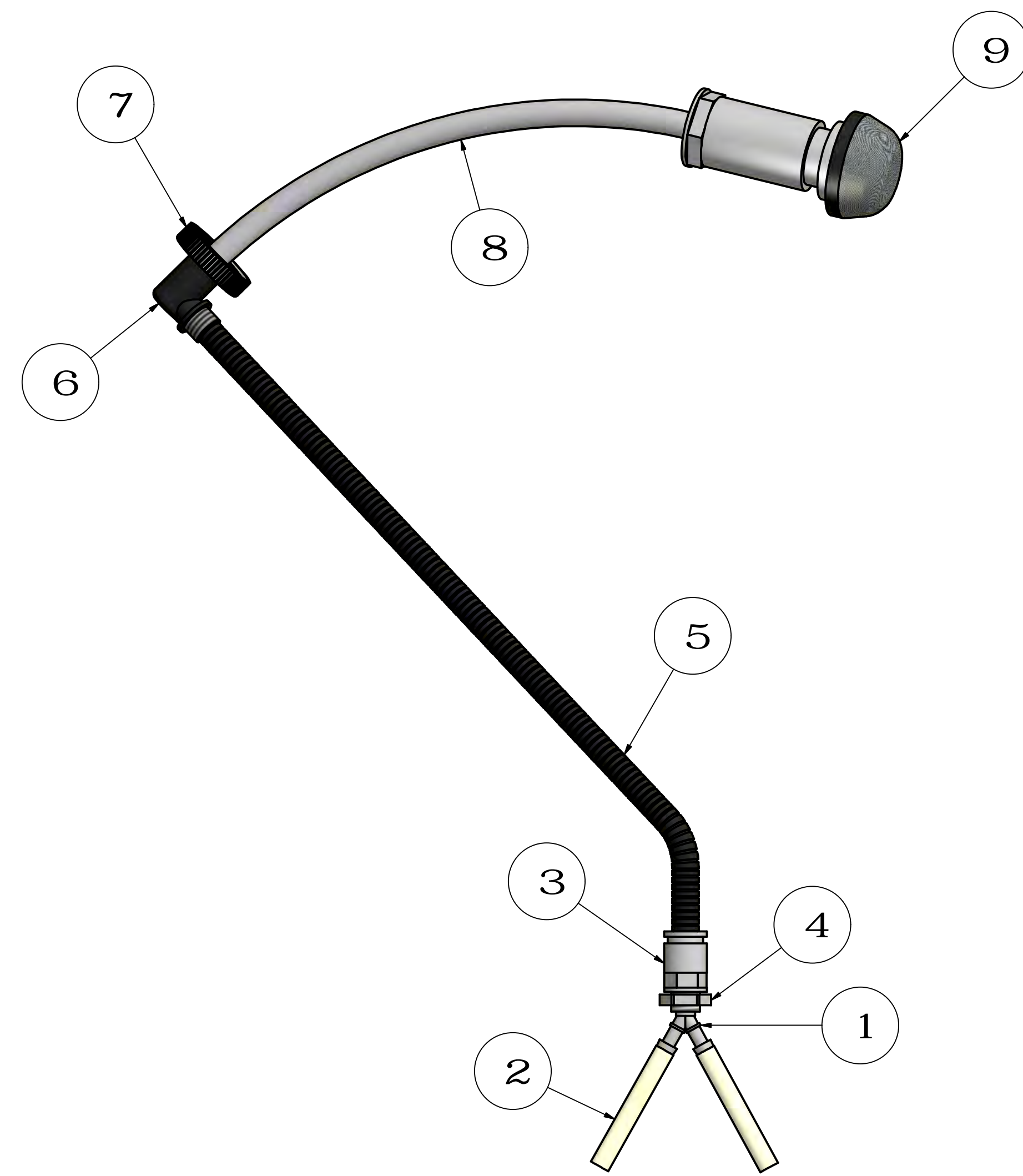
G3000 FOG MACHINE 110V W /DIGITAL  
REMOTE



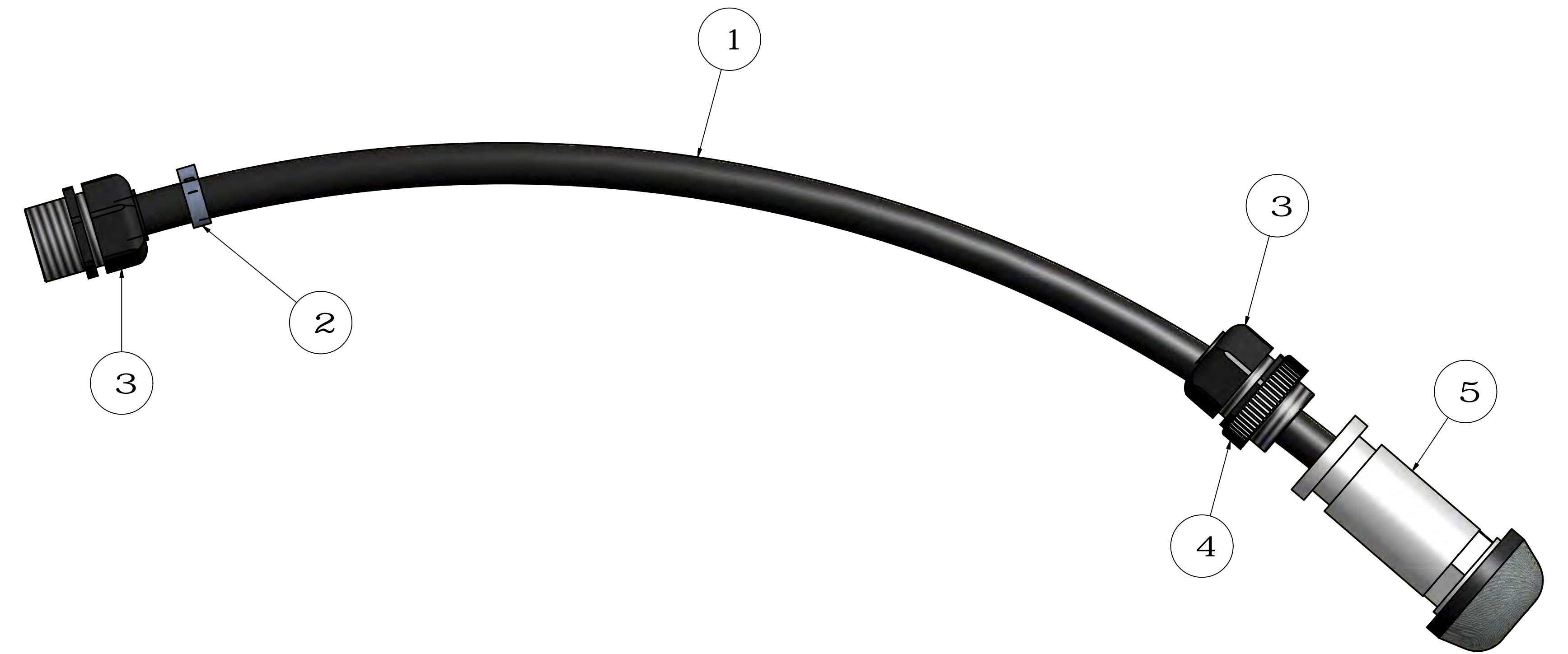
ITEM	QTY	SALES NUMBER	DESCRIPTION
1	1		G3000 CHASSIS BASE
2	1	CXP 4262	G3000 TRANSFORMER BRACKET
3	1	CXP 4218	G3000 TRANSFORMER 110V
	1	CXP 4228	G3000 TRANSFORMER 220V
4	1	CXP 2010	0.5 AMP FUSE 1.25"
5	1	CXP 4222	G3000 FUSE 1/4 X 1- 1/4 20 AMP
6	1	CXP 4217	3 POLE SPRING TERMINAL BLOCK
7	2	CXP 1288	1/4" HOLE GROMMET THIN
8	4		3/8" STANDOFF
9	1	CXP 2475	HEATER TRIAC
10	2		#6 X 3/8 BUTTITE SPACER G3000
11	1	CXP 4225	G3000 MAIN CONTROL BOARD
12	6		#6/32" LOCK NUT
13	1	CXP 4235	G3000 DMX BOARD
14	1	CXP 4197	GREY NEUTRIK MALE CHASSIS POWER COT
15	1		GREY NEUTRIK BLACK MOUNT PLATE
16	1	CXP 3040	ILLUMINATED POWER SWITCH
17	1	CXP 4276	G3000 "D" PLUG FOR 12 AWG CABLE
18	2	CXP 4148	PUMP ASSEMBLY - 110V
19	1	CXP 4252	G3000 FLUID SENSOR HOLDER
20	1	CXP 4242	G3000 FLUID SENSOR
21	1		HOLE PLUG FOR INDUSTRIAL
22	1	CXP 4219	G3000 POWER BLOCK 4 POLE
23	4	CXP 2075	ALL MINUM RIVETS - 3/16" X 3/4"
24	5		STICKONS WIRE HOLDER
25	1	CXP 4080	G3000 BLOCK 110V/220V/REV. 1 BULB/CAPILLARY
26	1	CXP 4284	G3000 JUG HOSE ASSEMBLY
27	1	CLF 3005	G3000 FOG MACHINE DIGITAL REMOTE ASSEMBLY
28	1	CXP 4236	G3000 CHASSIS LID
29	1		1/2" RUBBER GROMMET
30	1	CXP 4233	G3000 MAIN PCB WIRE HARNESS
31	1	CXP 4234	G3000 DMX PCB WIRE HARNESS
32	4		#4 X 1/2" PAN PHILLIPS H-LOBO
33	4		3/16 X 3/8" RIVET B/O
34	6		#8-32 X 1/2 PAN BOLT
35	5		#8 STAR WASHER
36	11		8/32 STANDARD NUT
37	1	CXP 4257	G3000 FUSE CLIPS
38	16	CXP 4253	10-24 X 1/2" S.S. MACHINE SCREW B/O
39	2	CXP 4238	G3000 MACHINE HANDLE
40	4		FLAT WASHER - 5/16"
41	4		LOCK WASHER - 5/16"
42	4		5/16 X 3/4 HEX BOLT
43	3	CXP 4255	LOCK WASHER - 1/4"
44	1		1/4" EXTERNAL TOOTH LOCK WASHER
45	4	CXP 4254	1/4" X 1- 1/2" BOLT (BLOCK)
46	4	CXP 4223	RUBBER FEET G3000
47	2		#4-40 X 3/8" FLAT HEAD PHIL SCREW
48	2	CXP 1296	#8/32" NYLON LOCK NUT
49	1	CXP 6000	12/3 POWER CABLE
50	1	CXP 1046	SHOW FOGGER HOSE ADAPTOR - 4"
51	4		#6/32 X 3/4" PAN PHIL SCREW B/O
52	10		1/8 X 1/2" RIVET B/O
53	1	CXP 4249	G3000 REMOTE DOCK CHASSIS
54	2	CXP 4215	G3000 FUSE HOLDER
55	2		RIVETS - 1/8" X 1/8"



# JUG HOSE ASSEMBLY



# INDUSTRIAL HOSE ASSEMBLY



## PARTS LIST

ITEM	QTY	SALES NUMBER	DESCRIPTION
1	1	CXP 4243	G3000 1/4 X 1/4 PLASTIC WYE
2	2.500LF (Linear Foot) 0.762M	CXP 2476	1/4" SILICONE TUBE LF
3	1	CXP 4246	G3000 BLACK HOSE END STRAIGHT
4	2	CXP 4259	PLASTIC NUT
5	1.6404LF (Linear Foot) 0.500M	CXP 4245	G3000 BLACK HOSE COVER LF
6	1	CXP 4247	G3000 BLACK HOSE 90° ANGLE HOSE END
7	1		JUG CAPS WHITE (2LT / 4LT)
8	2.500LF (Linear Foot) 0.762M		SILICONE HOSE 3/16 X 3/8 HOSE
9	1	CXP 4290	INDUSTRIAL FILTER CHECK VALVE

## PARTS LIST

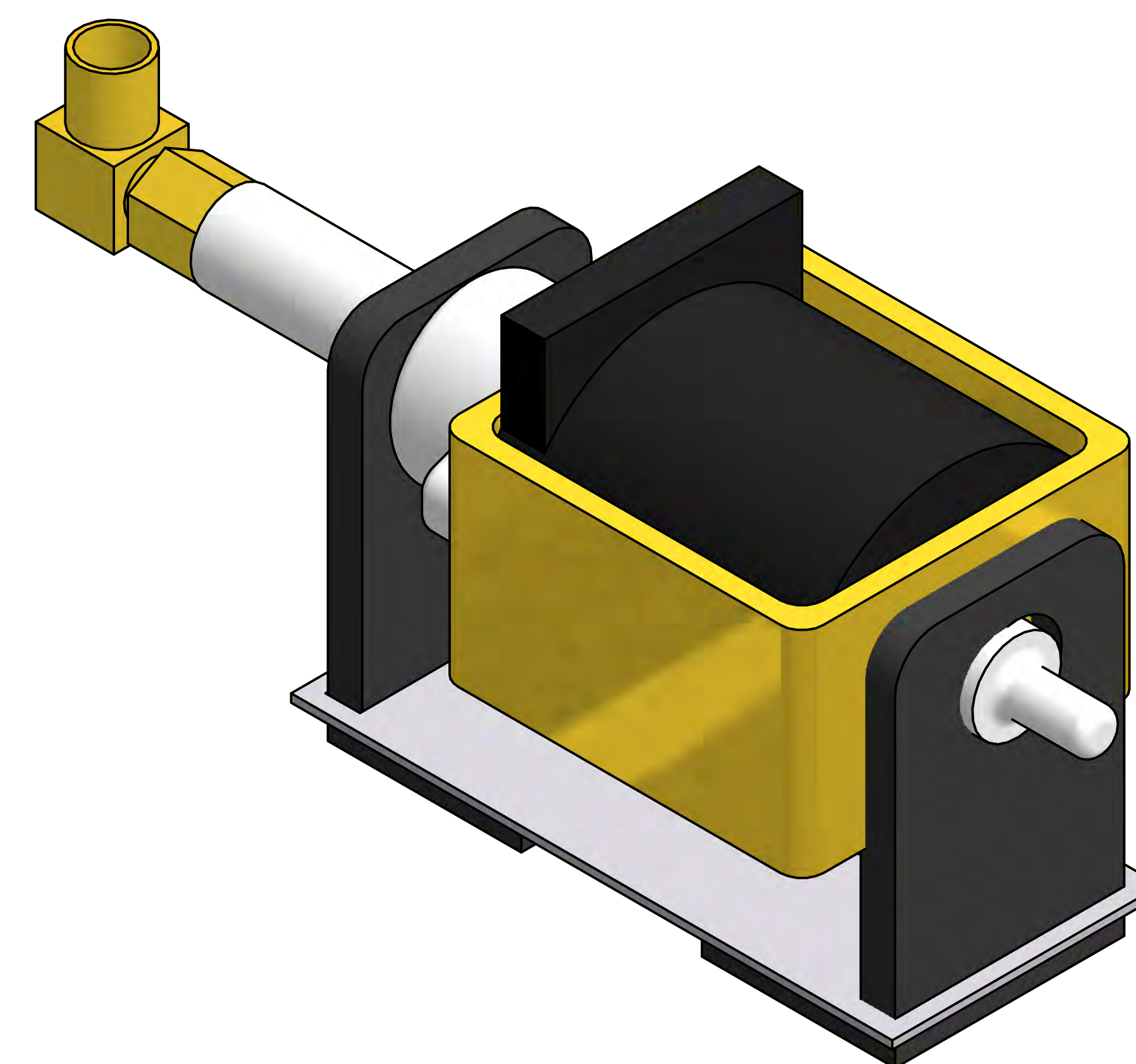
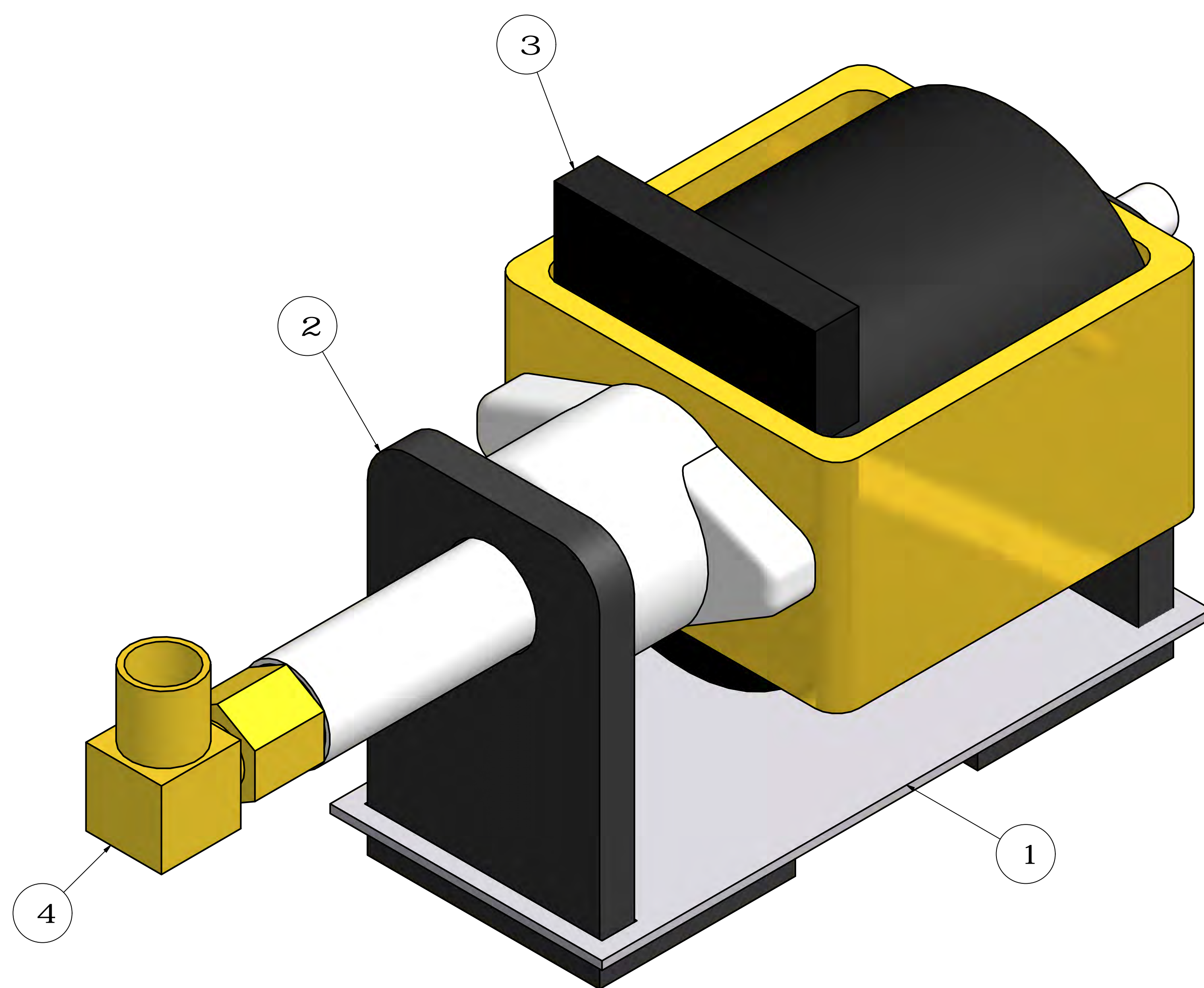
ITEM	QTY	SALES NUMBER	DESCRIPTION
1	5.000LF (Linear Foot) 1.524M	CXP 1216	1/4 ID BLACK PVC INDUSTRIAL HOSE
2	1	CXP 2000	5/8 S.S. INDUSTRIAL HOSE CLAMP
3	2	CXP 1221	3/4" PLASTIC STRAIN RELIEF
4	1		JUG CAP WHITE (2LT / 4LT)
5	1	CXP 4290	INDUSTRIAL FILTER CHECK VALVE



REVISION HISTORY

REV.#	DATE
C	01/11/2017

# PUMP ASSEMBLY



PARTS LIST			
ITEM	QTY	SALES NUMBER	DESCRIPTION
1	1	CXP 4258	PUMP BRACKET FLAT
2	2	CXP 4258	NEW STYLE PUMP RUBBERS
3	1	CXP 4148	PUMP 110V
4	1	CXP 2431	3/16 PUMP ELBOW MALE - NORTH AMERICAN