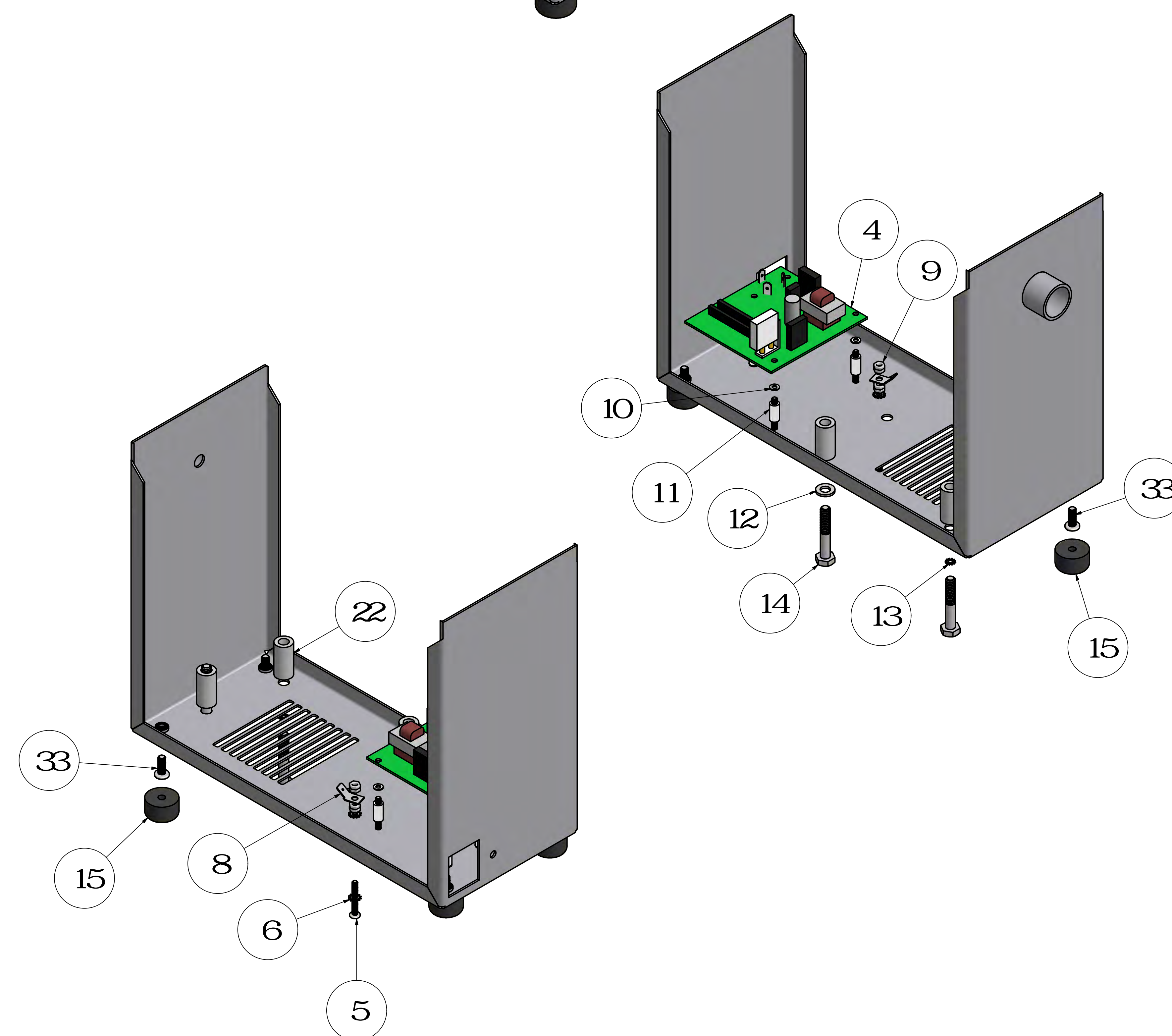
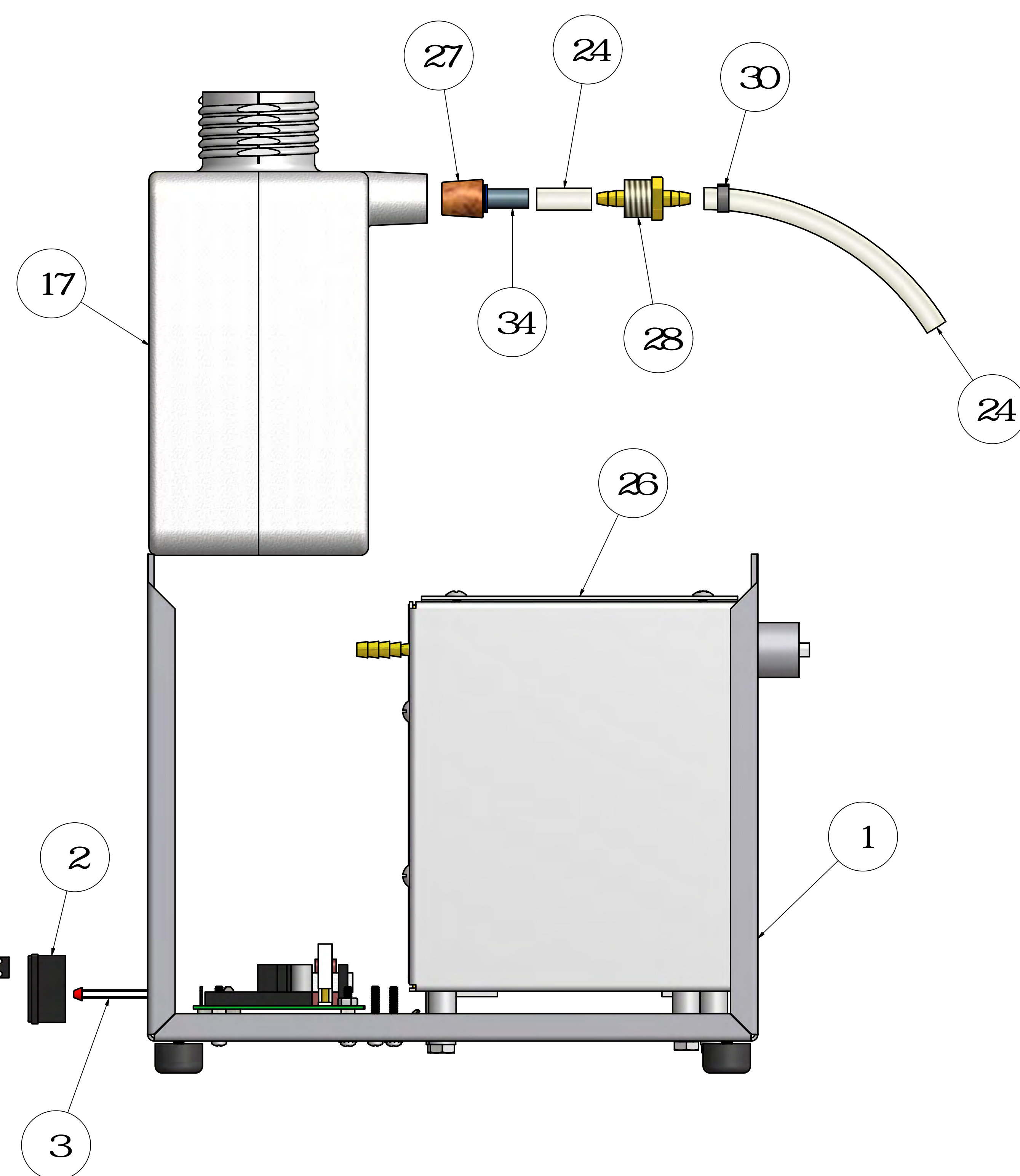
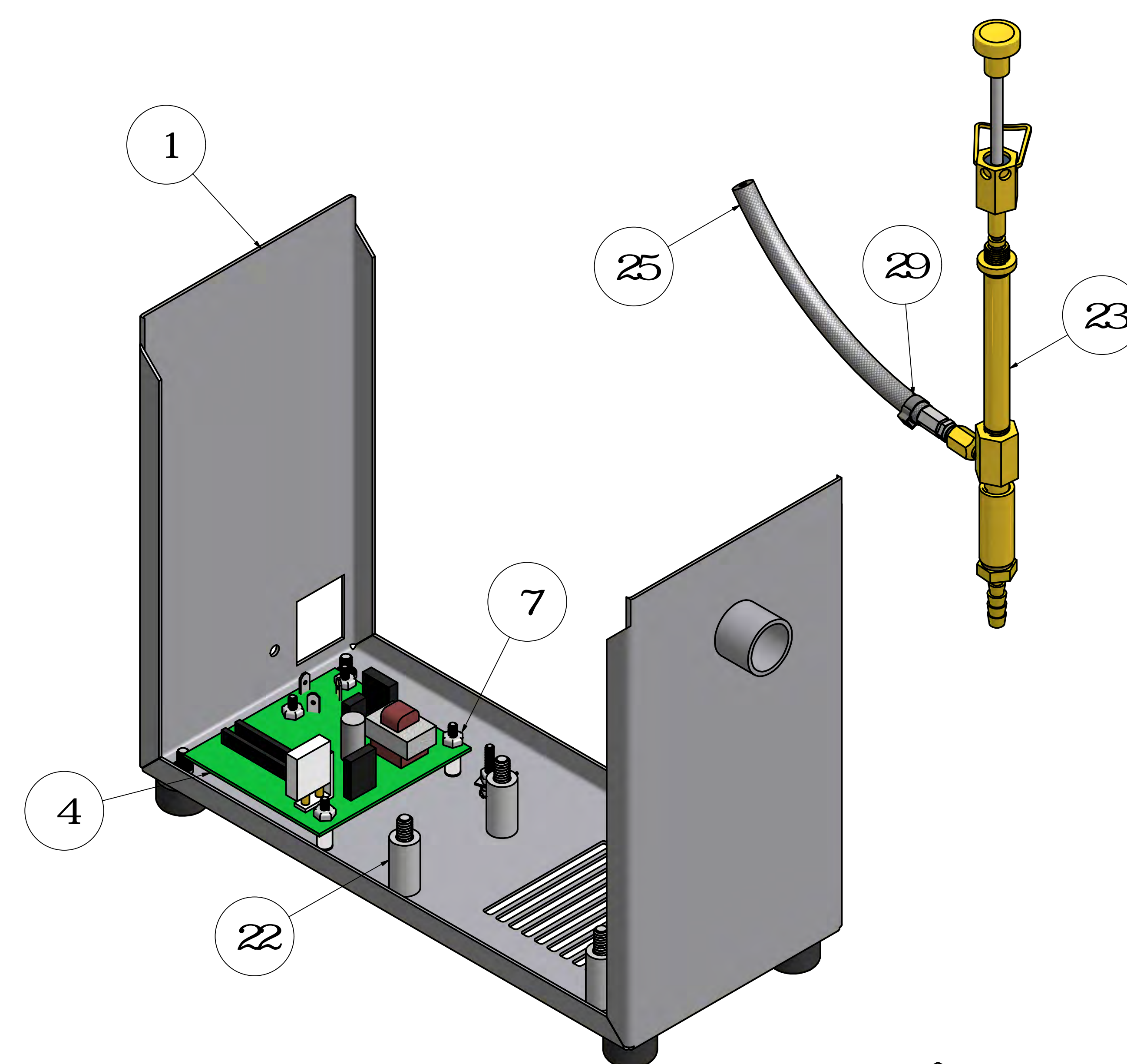
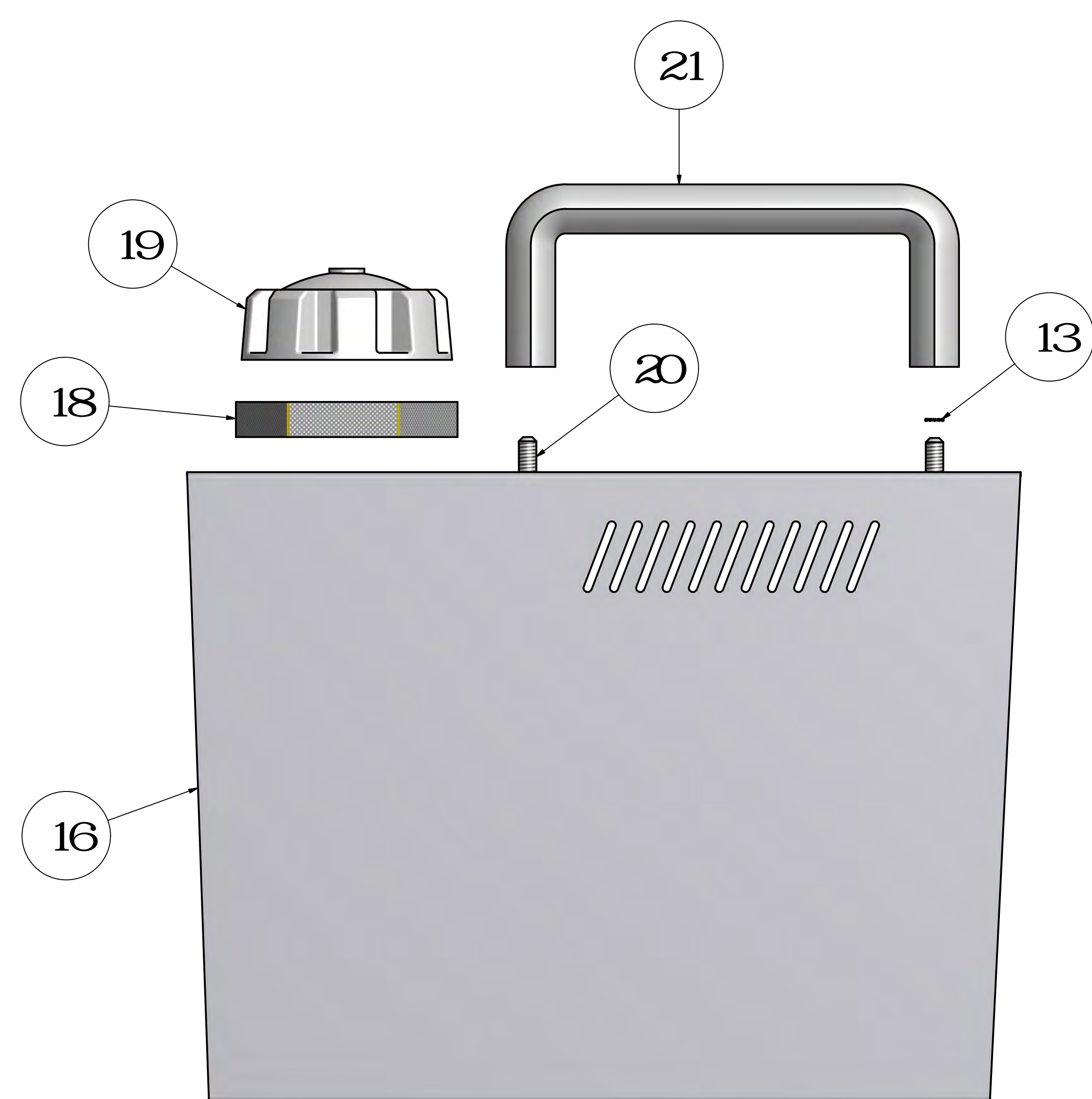


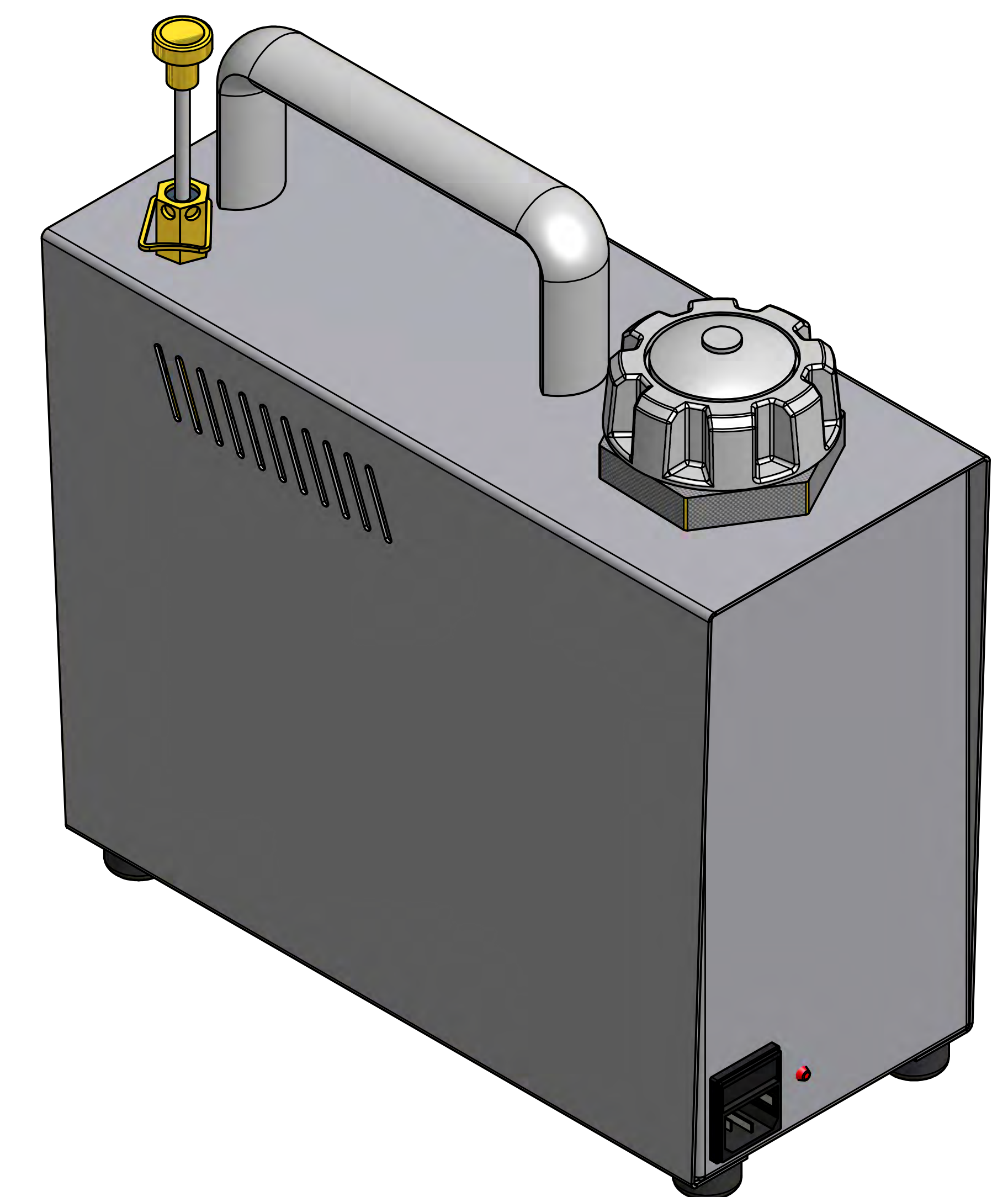
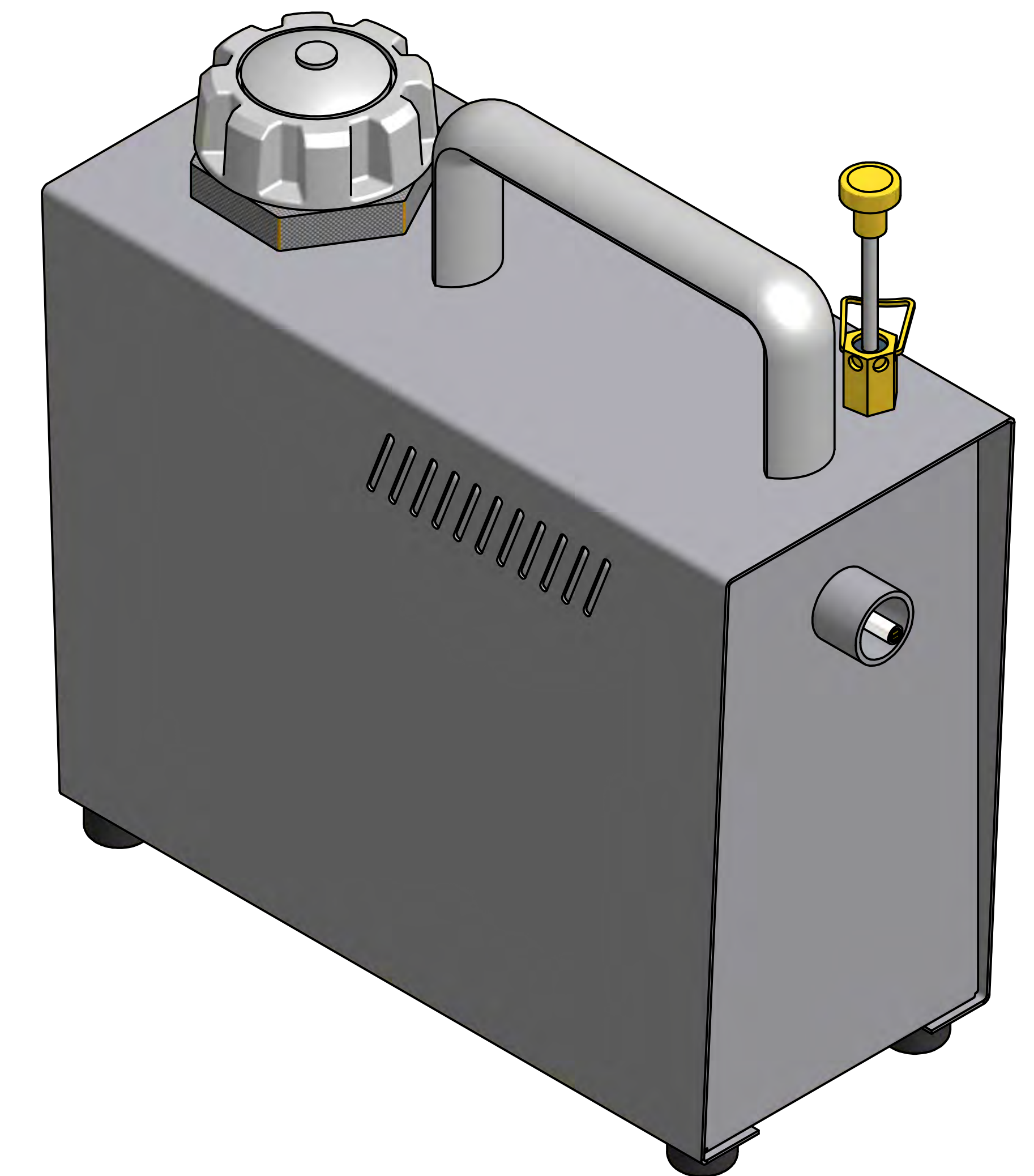
# ULTRA HANDY FOGGER



## PARTS LIST

| ITEM | QTY                             | SALES NUMBER | DESCRIPTION                                 |
|------|---------------------------------|--------------|---|
| 1    | 1                               |              | HANDY FOGGER CHASSIS BASE                   |
| 2    | 1                               | CXP 2802     | FUSE POWERED ENTRY MODULE                   |
| 3    | 1                               |              | LED PANEL MOUNT INDICATOR                   |
| 4    | 1                               | CXP 8050     | ULTRA HANDY FOGGER PCB- 110V                |
|      |                                 | CXP 8052     | ULTRA HANDY FOGGER PCB- 220V                |
| 5    | 5                               |              | 6/32' X 1" PAN-HEAD PHILLIPS S.S.           |
| 6    | 3                               |              | #6 STAR WASHER                              |
| 7    | 4                               |              | #6-32 LOCK NUT                              |
| 8    | 1                               | CXP 4257     | G3000 FUSE CLIPS                            |
| 9    | 4                               |              | 6/32' STANDARD NUT                          |
| 10   | 4                               |              | NYLON WASHER                                |
| 11   | 4                               |              | 1/2" STANDOFF                               |
| 12   | 3                               | CXP 4255     | LOCK WASHER - 1/4"                          |
| 13   | 3                               |              | 1/4" EXTERNAL TOOTH LOCK WASHER             |
| 14   | 4                               | CXP 4254     | 1/4" X 1-1/2" BLOCK BOLTS                   |
| 15   | 4                               | CXP 2436     | MACHINE FEET - SET OF 4                     |
| 16   | 1                               |              | HANDY FOGGER CHASSIS LID                    |
| 17   | 1                               | CXP 8035     | ULTRA HANDY FOGGER PLASTIC JUG              |
| 18   | 1                               |              | ULTRA HANDY FOGGER PLASTIC NECK LOCKING NUT |
| 19   | 1                               | CXP 8040     | ULTRA HANDY FOGGER JUG CAP                  |
| 20   | 2                               |              | 1/4" X 1/2" BOLT                            |
| 21   | 1                               |              | ULTRA HANDY FOGGER 6" HANDLE                |
| 22   | 4                               |              | ULTRA HANDY FOGGER HEATER BLOCK 1" STANDOFF |
| 23   | 1                               | CXP 8070     | ULTRA HANDY FOGGER PUMP ASSEMBLY            |
| 24   | 1.750LF (Linear Foot)<br>Q5334M | CXP 2476     | 1/4" SILICONE TUBE 1F                       |
| 25   | 1.080LF (Linear Foot)<br>Q3291M |              | HANDY FOGGER 1/8" BRAID HOSE                |
| 26   | 1                               | CXP 8055     | ULTRA HANDY FOGGER BLOCK - 110V             |
|      |                                 | -            | ULTRA HANDY FOGGER BLOCK - 220V             |
| 27   | 1                               | CXP 4402     | 1/4" BRASS STONE FILTER ASSEMBLY            |
| 28   | 1                               | CXP 1248     | BRASS FITTING STAGE/SHOW/BATTLE FLUID JUG   |
| 29   | 1                               |              | 5/16 PUMP CLAMP                             |
| 30   | 1                               | CXP 2004     | 2 EAR CLAMP LARGE                           |
| 31   | 2                               | -            | 5 X 20mm 10 AMP FUSE - 110V                 |
|      | 2                               | CXP 1184     | 5 X 20mm 8 AMP FUSE - 220V                  |
| 32   | 1                               | CXP 1182     | 18/3 IEC 6FT POWER CORD                     |
| 33   | 4                               |              | # 10-32 X 1/2" PHILP MACHINE SCREW          |
| 34   | 1                               | CXP 1072     | 1/4" BLACK POLYTUBE                         |

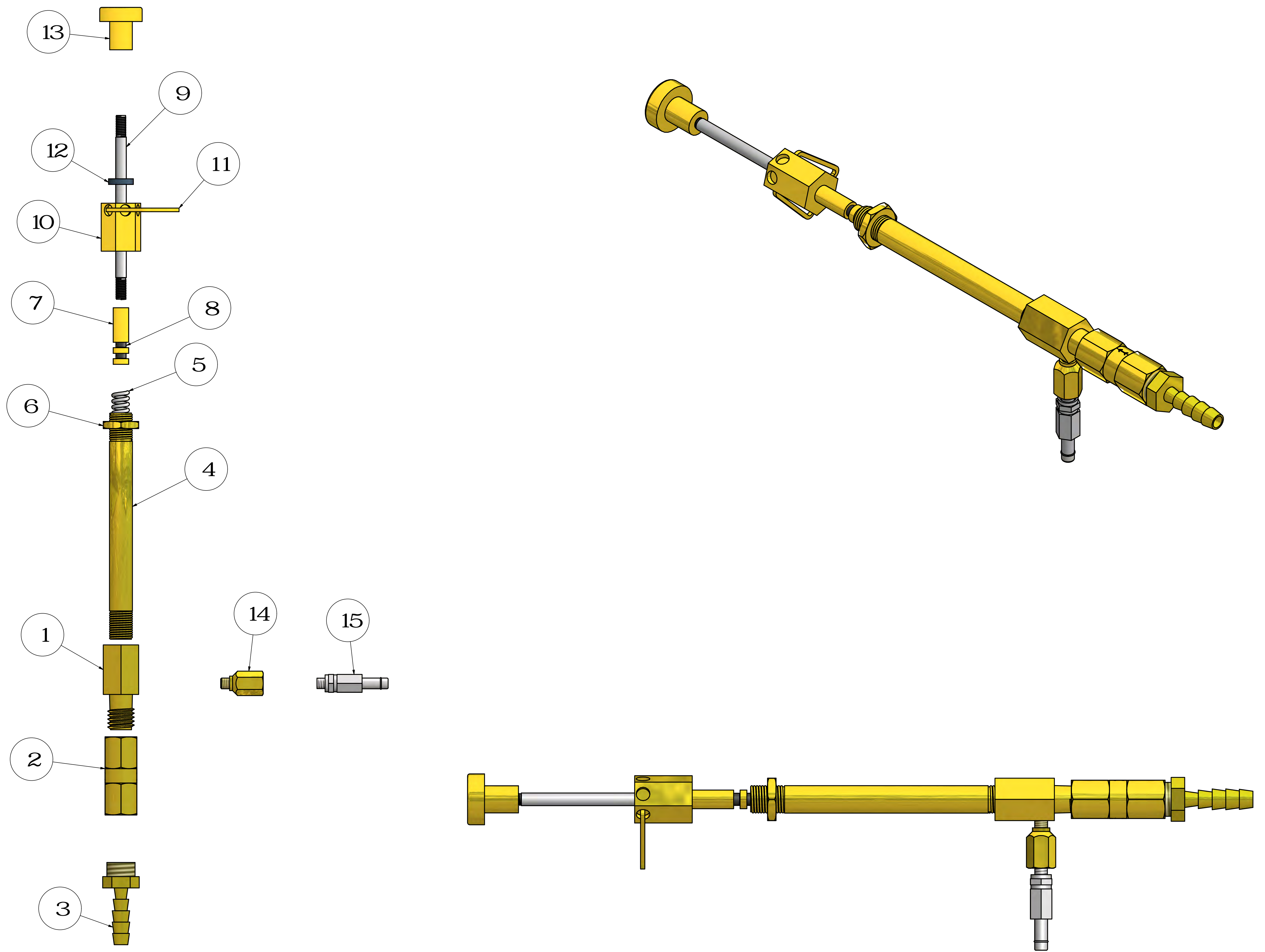
## ULTRA HANDY FOGGER



# ULTRA HANDY FOGGER PUMP ASSEMBLY

## REVISION HISTORY

| REV-# | DATE       |
|-------|------------|
| A     | 16/07/2018 |



### PARTS LIST

| ITEM | QTY | SALES NUMBER | DESCRIPTION                                    |
|------|-----|--------------|--|
| 1    | 1   | CXP 8007     | ULTRA HANDY FOGGER PUMP BASE                   |
| 2    | 1   | CXP 8012     | ULTRA HANDY FOGGER BRASS CHECK VALVE           |
| 3    | 1   | CXP 8014     | ULTRA HANDY FOGGER 1/8\" BRASS HOSE BARB       |
| 4    | 1   | CXP 8016     | ULTRA HANDY FOGGER 1/8\" NPT NIPPLE            |
| 5    | 1   | CXP 8020     | ULTRA HANDY FOGGER S.S SPRING                  |
| 6    | 1   |              | ULTRA HANDY FOGGER LOCK NUT 1/8\" NPT          |
| 7    | 1   | CXP 8015     | ULTRA HANDY FOGGER PISTON                      |
| 8    | 2   | CXP 8045     | ULTRA HANDY FOGGER O-RING                      |
| 9    | 1   | CXP 8025     | ULTRA HANDY FOGGER S.S. ROD                    |
| 10   | 1   |              | ULTRA HANDY FOGGER TOP NUT                     |
| 11   | 1   | CXP 8080     | ULTRA HANDY FOGGER THUMB KNOB LOCKING ASSEMBLY |
| 12   | 1   | CXP 8080     | ULTRA HANDY FOGGER THUMB KNOB LOCKING ASSEMBLY |
| 13   | 1   | CXP 8080     | ULTRA HANDY FOGGER THUMB KNOB LOCKING ASSEMBLY |
| 14   | 1   | CXP 8004     | ULTRA HANDY FOGGER POPPET CHECK VALVE          |
| 15   | 1   | CXP 8005     | ULTRA HANDY FOGGER CHECK VALVE                 |